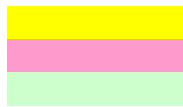
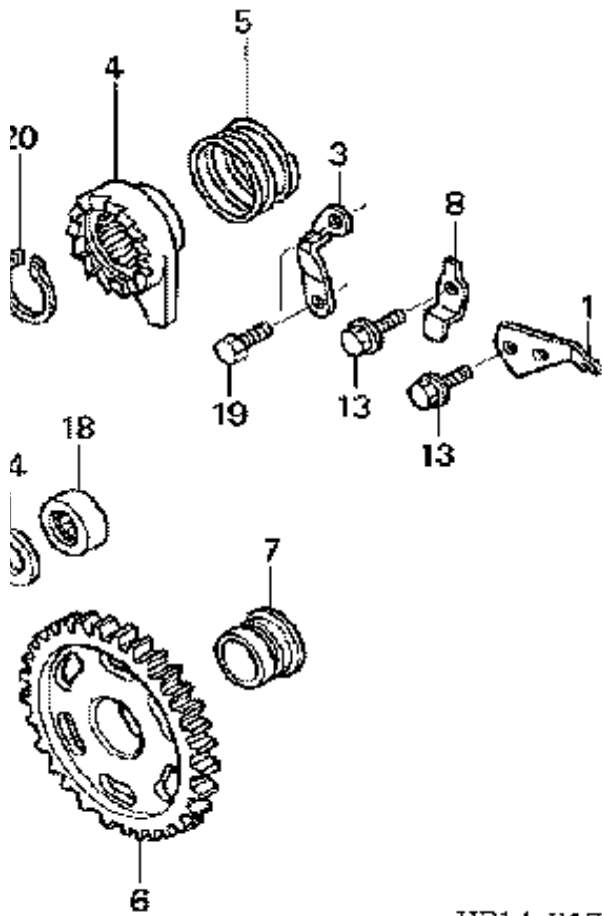


05 Parts			06 Parts
Item No	Description	Honda part No.	Desc
1	PLATE, OIL GUIDE	15201-HP1-670	No listed..assum
2	PINION (28T)	28211-HP1-670	PINION (28T)
3	PLATE, KICK STOPPER	28215-HP1-670	PLATE, KICK STOPPER
4	RATCHET	28221-HP1-670	RATCHET
5	SPRING	28223-HP1-670	SPRING
6	GEAR (31T)	28231-HP1-670	GEAR (31T)
7	COLLAR	28232-HP1-670	COLLAR
8	PLATE	28233-HP1-670	PLATE
9	GEAR (25T/13T)	28240-HP1-670	Item 22 on 06+ Can use
10	SPINDLE	28251-HP1-670	SPINDLE
11	SPRING	28261-HP1-670	SPRING
12	COLLAR, KICK SPRING	28282-MEB-670	COLLAR
13	BOLT, FLANGE (6X14)	90004-GHB-620	BOLT, FLANGE (6X14)

14	*90451-PC9-000	90451-035-900	*90451-PC9-000 (NA USE ALT: 90451-PC9-000)
15	WASHER B (22MM)	90455-ML7-000	WASHER B (22MM)
16	WASHER (20MM)	90554-728-940	WASHER (20MM)
17	BEARING (22X29X10)	91007-HP1-671	BEARING (22X29X10)
18	BEARING (14X20X12)	91105-KN7-671	BEARING (14X20X12)
19	BOLT, HEX. (6X16)	93301-06016-0A	BOLT, HEX. (6X16)
20	CIRCLIP (19MM)	94510-19000	CIRCLIP (19MM)
21			PLATE, OIL GUIDE
22			GEAR (25T/13T)
23	Seal Kicker shaft seal	91204-KF0-003	Oil Seal
24	Case plug (plugs starter hole)	11333-HP1-841	Case plug
25			gasket
26			Bracket

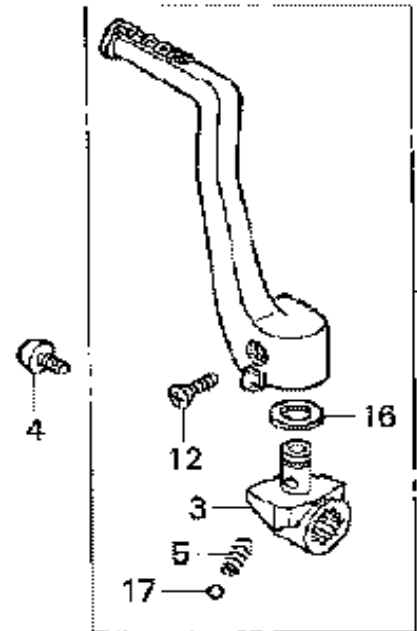


05/06 different
Need to buy
Have



HP14-E1700

FR. →



05 Pedal As

Honda Parts No	Qty	Have Y/N	Price
ing same	1	Y	
28211-HP1-670	1	Y	
28215-HP1-670	1	Y	
28221-HP1-670	1	Y	
28223-HP1-670	1	Y	
28231-HP1-670	1	Y	
28232-HP1-840	1	N	\$7.05
28233-HP1-840	1	N	\$3.96
05 (turn round?)	1	Y	
28251-HP1-840	1	N	\$70.11
28261-HP1-840	1	N	\$8.66
28282-HP1-840		N	\$8.91
90004-GHB-620	2	Y	

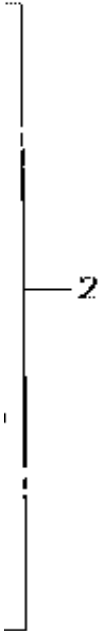
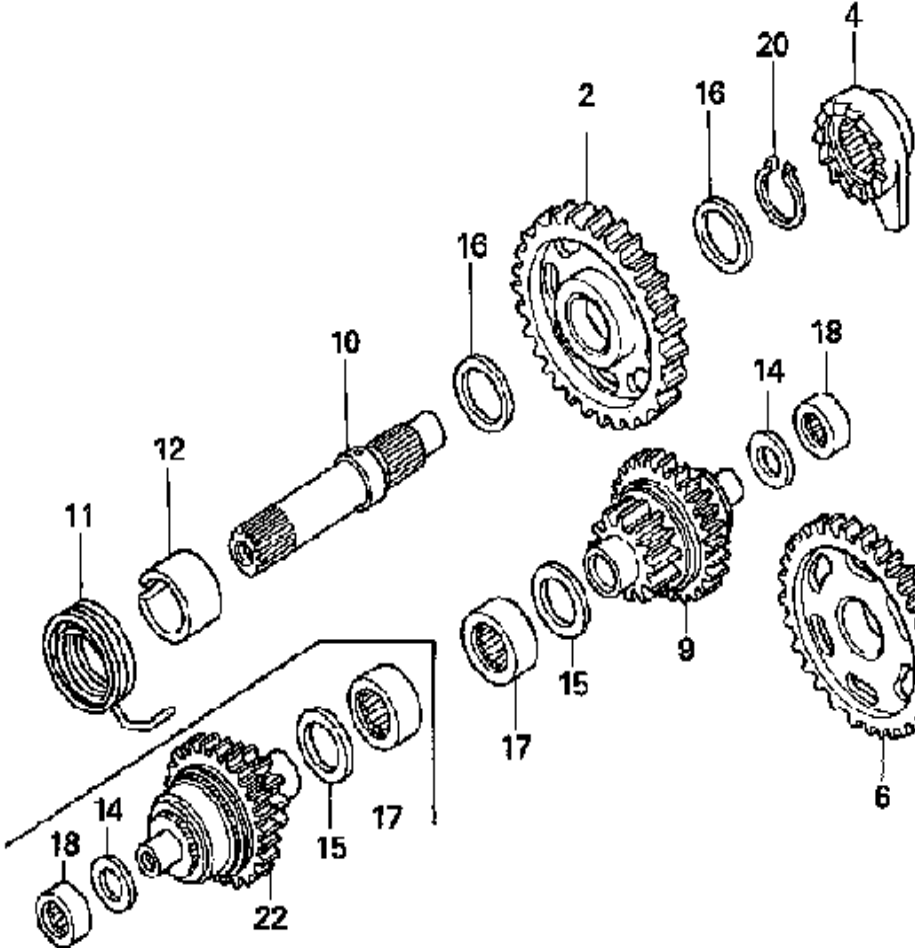
- 1. Not listed..assuming same
- 2 Pinion (28T) 28211-HP1-670 1
- 3 Plate, Kick Stopper 28215-HP1-670 1
- 4 Ratchet 28221-HP1-670 1
- 5 Spring 28223-HP1-670 1
- 6 Gear (31T) 28231-HP1-670 1
- 7 Collar 28232-HP1-840 1
- 8 Plate 28233-HP1-840 1
- 9 Use 05 (turn gear around)
- 10 Spindle 28251-HP1-840 1
- 11 Spring 28261-HP1-840 1
- 12 Collar 28282-HP1-840 1
- 13 Bolt, Flange (6x14) 90004-GHB-620

90451-035-900	1	Y	
90455-ML7-000	1	Y	
90554-728-940	2	Y	
91007-HP1-671	1	N	\$7.84
91105-KN7-671	1	N	\$6.13
93301-06016-0A	1	Y	
94510-19000	1	Y	
15201-HP1-600	1	N	\$7.05
28240-HP1-840	1	Y(see 9)	
91204-KFO-003	1	N	
11333-HP1-841	1	N	\$7.50
11394-HP1-600			\$18.67
15201-hp1-600			\$5.62
Total			\$151.50

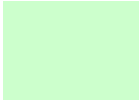
14 Washer (14mm) 90451-PC9-000 1
 15 Washer B (22mm) 90455-ML7-000 1
 16 Washer (27x20x1) 90554-728-940 2
 17 Bearing (22x29x10) 91007-HP1-671
 18 Bearing, Needle 91105-KN7-671 1
 19 Bolt, Hex (6x16) 93301-06016-0A 2
 20 Circlip (19mm) 94510-19000 1
 22 Gear (25T/13T) 28240-HP1-840 1
 23 Arm, Kick Starter 28300-HP1-840 1
 19 Bolt, Kick Joint 28306-MEN-670 1
 seal 91204-KFO-003 1

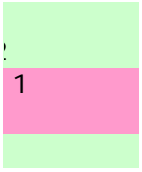


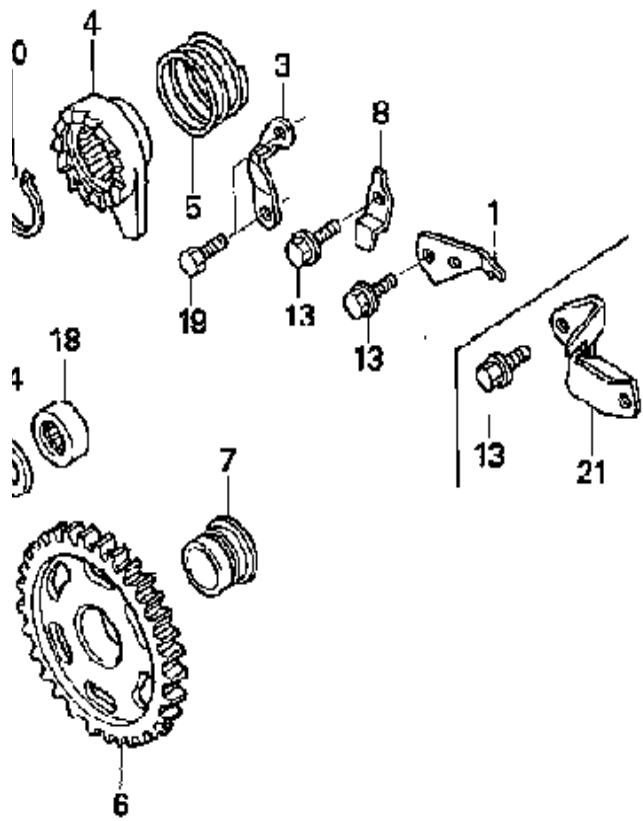
06 Gears



sy.







HP14-E1700A

FR. 