



Installation Instructions

08-11 KAWASAKI TERYX 750 // #25610-00

BE SURE TO REGISTER YOUR DMC EXHAUST ONLINE AT WWW.DMC-ON-LINE.COM

Thank you for choosing to install the finest exhaust system available. DMC uses only the latest technology to deliver big gains in acceleration, horsepower and torque, while capturing additional strength and critical weight savings.

Read all instructions carefully before installing this system. Any references to "left" or "right" indicates sides as if you were sitting on the bike facing forward.

PARTS INCLUDED

- (2) Mufflers
- (4) Mid Pipes
- (2) Headers
- (1) Hardware Kit
- (8) Springs

TOOLS REQUIRED

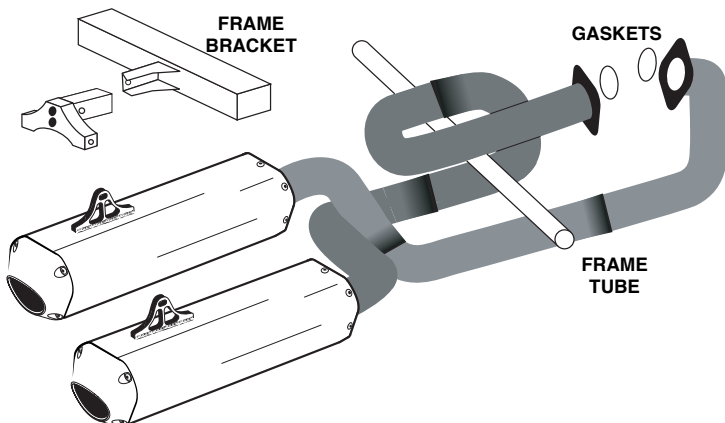
- Pipe Spring Puller
- 12mm socket with extension
- 12mm box wrench

REMOVAL PROCEDURE

1. Be sure engine and exhaust are cool to the touch before beginning.
2. Remove the driver's seat.
3. Remove the bed.
4. Once the bed is off, remove the large metal large plate covering the chassis by unscrewing the four bolts securing it.
5. Raise the TERYX securely on a jack or lift and remove the skid plate attached underneath to provide working room. Be sure the TERYX is stable and secure for safe access under the vehicle.
6. Remove the stock exhaust system, be sure to save the stock hardware as they will be used in installation of your DMC System.
7. Inspect the exhaust gaskets on the stock headpipes for wear. If worn, be sure to replace them.
8. Place the exhaust gaskets on the DMC exhaust flanges (if necessary, secure in place with a small dab of grease) and secure head pipes to cylinder.
9. Continue with mid-pipe installation using the diagram below as a reference.
10. Remove the stock components on the Frame Bracket and replace with the supplied DMC Hanging Bracket. Secure with the stock bolt.
11. Insert each DMC muffler into the midpipe and line up mounting holes on on the Hanging Bracket. Loosely secure mufflers using supplied nuts and bolts.
12. Using the (8) supplied exhaust springs, secure all connections.
13. Prior to tightening any bolts or nuts, ensure entire exhaust system is free of any binding or stress.

DO NOT OVERTORQUE. FOLLOW OEM TORQUE SPECIFICATIONS UNLESS NOTED OTHERWISE

14. Tighten all hardware and look over installation to insure pipe does not come in contact with any cables, hoses or frame.
15. Re-install the metal plate over the chassis, the bed, and skid plate.

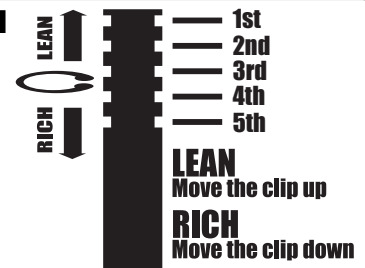


JETTING

DMC highly recommends you check your carburetor jetting. Failure to do so could result in engine and/or system damage. DMC jetting specs are based on a stock motor, at sea level, temperature of 65°F using 91 octane pump gas. Appropriate jetting specs for your specific riding area may be available by contacting your local dealer or mechanic. See the chart below for any jetting requirements, if applicable for you bike.

NEEDLE/CLIP POSITION

- Pilot JetsStock
- Front Main Jet#138
- Rear Main Jet#142
- NeedleStock
- Fuel ScrewStock
- Air Screw2.5 Turns Out
- Clip PositionStock



ADJUSTMENTS FOR ALTITUDE & TEMPERATURE

All jetting recommendations are based on standard jetting with an unmodified engine. It may be helpful to know that these conditions can affect the fuel mixture.

CONDITION	MIXTURE WILL BE	ADJUST TO
Cold Temperature	lean	richer
Warm Temperature	rich	leaner
Dry Air	lean	richer
High Humidity	rich	leaner
High Altitude	rich	leaner

SPARK ARRESTOR / QUIET CORE

Spark arrestors are included with every Afterburner Exhaust. To access your Spark Arrestor and (or) Quiet Core Insert, simply remove the screws from the endcap.

STARTUP PROCEDURE

After completing installation and making any jetting or EFI changes (if required), start your engine in a well-ventilated area and check for any exhaust leaks. We recommend riding for 30 minutes to allow components to properly seat. Allow engine to cool down and recheck all fasteners.

DMC Exhaust
930 Columbia Ave.
Riverside, CA 92507
WWW.DMC-ON-LINE.COM

MAINTENANCE

Please allow exhaust system to cool prior to washing or repair. DMC recommends using a mild soap such as dish detergent and water to wash your exhaust system. Also, you should not allow water to enter the silencer outlet while washing your bike or ATV.

As we all know, sound is a major issue, which can effect whether or not we continue to enjoy our sport without offending others. Also, your system performs best and will last longer when the silencer is properly maintained. Repacking your silencer depends on the type of riding and the amount of hours on the bike. On a big-bore-four, frequent high speed riding will shorten the life of the packing. Your ears are the best guide to knowing when to repack, but as a rule, every 20-30 hours is a good guideline to inspect and replace if necessary. If and when it is time to repack, please use DMC Afterburner Repack Kits as they were tested and designed to provide the best performance. To keep your spark arrestor clean, you can clear it out by using a soft bristled brush and soapy water.

DMC REPLACEMENT PARTS

	PART #
• USFS Approved Spark Arrestor.....	25911-10
• USFS Approved S.O.S. Quiet Core Insert	25911-20
• DMC Afterburner Repack Kit (Quiet Mufflers)	25911-46

PERFORMANCE ACCESSORIES

	PART #
• K&N Air Filter	KA-7508
• No Toil Foam Filter	NT340-16
• No Toil Fast Filter	NT3416
• Twin Air Filter	151915
• DynoJet Jet Kit.....	Q221

TECHNICAL SUPPORT

If you ever lose your instructions or need additional information, simply visit the DMC website where we offer all the installation information that came with your DMC exhaust. If, at any time, there is further news regarding modifications, jetting adjustments, or other, the DMC website is a great source for obtaining the latest news.

WARRANTY

Since we designed, developed and manufactured your DMC Exhaust to provide reliable performance, we guarantee your system for one (1) year from the date of invoice against defects in materials and workmanship. We will repair or replace any faulty parts at our sole determination and expense, therefore warranty is limited to the repair or replacement of defective products.

It is important to note that our warranty is not unconditional. Although your DMC product was made with the finest materials and hand crafted to strict standards, it is not indestructible. Therefore, our warranty does not cover product damage as a result of crash damage, abuse, misuse, improper installation, modifications or lack of maintenance. We also do not cover any damages whether consequential, incidental, special, contingent or otherwise: or expenses or injury arising directly or indirectly from a DMC item's use.

As with any product, your DMC system should be expected to experience normal wear, which is not covered by any warranty. The duration of any and all implied warranties are limited to the duration of the express warranty. DMC will ship repaired or replaced items via UPS Ground service at our expense.



www.spectro-oils.com



**DMC recommends using Spectro Oils
for maximum protection.**